

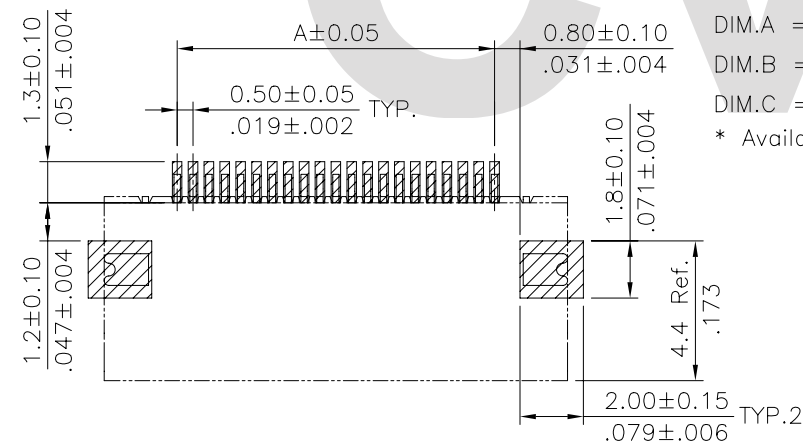
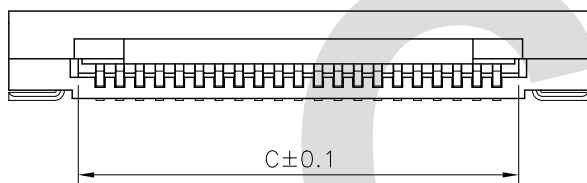
Material :

- * Body : PA6T or PA9T With 30% GF. UL 94V-0
Color Nature(Ivory)
- * Slider : PA6T or PA9T With 30% GF. UL 94V-0
Color Black
- * Contact : Phosphor Bronze
- * Fixed tab : Brass with Tin Plated

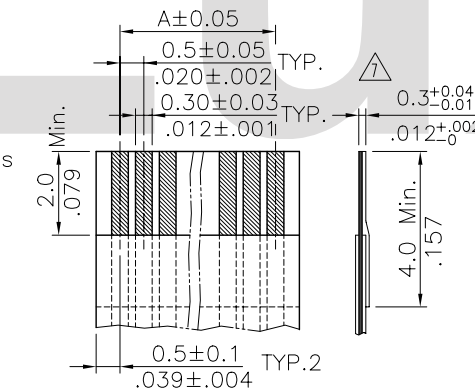
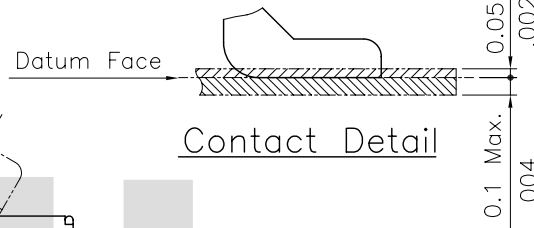
Ordering Code

CF25 ** 1 D 0 *0 - 05
① ② ③ ④ ⑤ ⑥ ⑦

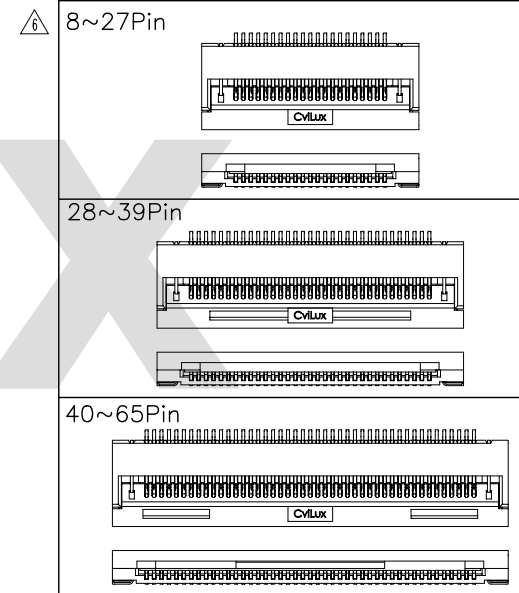
- ① Series No.
- ② No. of Circuits
- ③ Plating code:
1= Matte Tin plated over Nickel
2= Gold flash over 50μ"min. Nickel
- ④ Contact style: D= Downside contact
- ⑤ Color: 0= Nature
- ⑥ Other option: R0= Tape & Reel
T0= Tube Packing
- ⑦ Pitch: 05= 0.50 mm



DIM.A = 0.50 x No. of Spaces
DIM.B = DIM.A + 4.6
DIM.C = DIM.A + 1.1
* Available in 5 through 65 circuits



Accommodated FFC/FPC



Lead Free Process

RoHS compliant

Recommended P.C. Board Layout

⑥	Sun	6/15-07'	ECN07246		DATE	UNIT: mm / inch	TITLE: 0.50mm(.020") ZIF FFC/FPC ONE-TOUCH CONNECTOR		瀚荃股份有限公司 CviLux Corporation			
⑤	Sandy	4/29-07'	ECN07153		DRAWN BY: Sandy	9/22-07'	TOLERANCE UNLESS OTHERWISE SPECIFIED			MATERIAL:	DRAWING NO. CF2502SH	PART NO. CF25***D0*0-05
④	Hank	7/24/06'	ECN06252		ENGINEER: Easley	9/28-07'	.X ± 0.15/.006 X' ± 1'			FINISH:	SCALE 5 / 1	SHEET 1 OF 2
⑦	Sandy	9/22-07'	ECN07381/ECR07065-1		CHECKED BY: David	9/28-07'	.XX ± 0.10/.004 X' ±					
SYM	NAME	DATE	REVISIONS		APPROVED BY: Alex	9/28-07'	.XXX ± 0.05/.002 X' ±					

