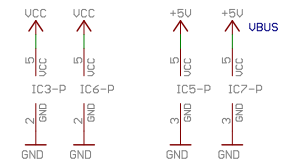
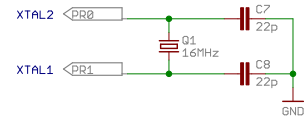
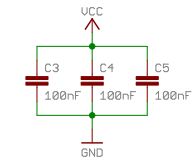
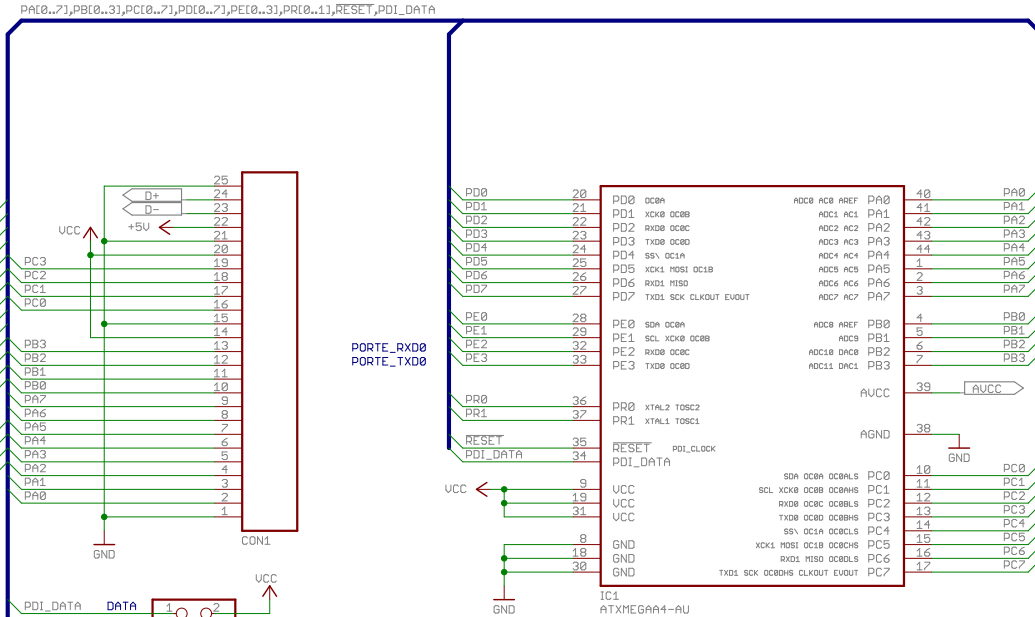
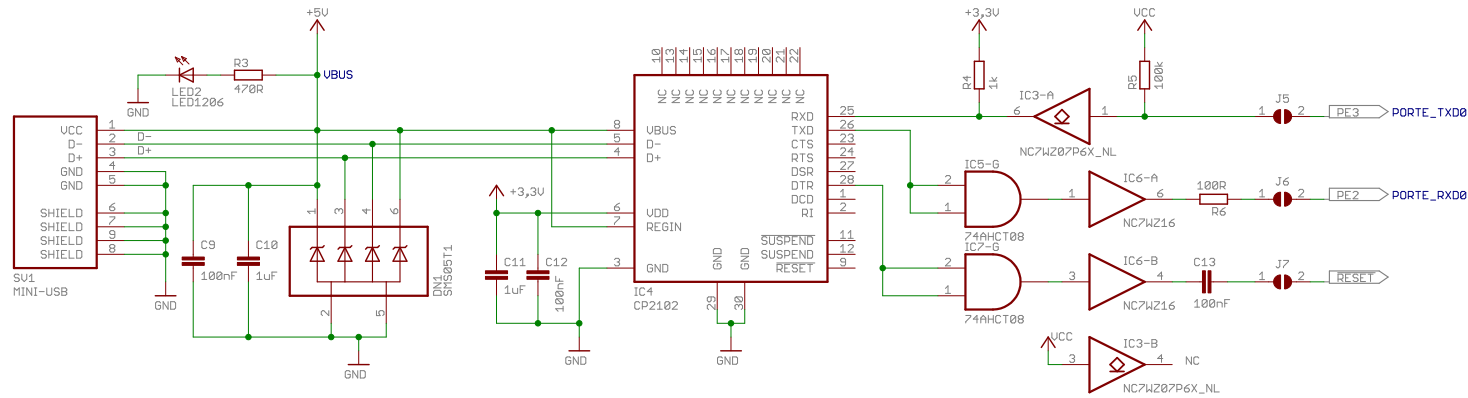
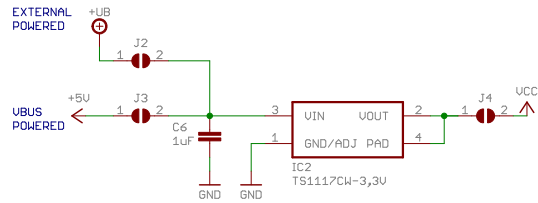
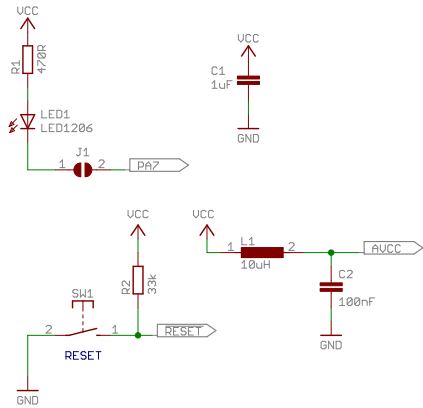


POWER SUPPLY CONFIGURATION	JUMPER	JUMPER STATUS
EXTERNAL SUPPLY VOLTAGE APPLIED TO +UB PIN (1)	J2	CLOSED
	J3	OPENED
	J4	CLOSED
EXTERNAL SUPPLY VOLTAGE APPLIED TO ANY UCC PIN (2)	J2	OPENED
	J3	OPENED
	J4	OPENED
USB UBUS POWERED (1)	J2	OPENED
	J3	CLOSED
	J4	CLOSED

(1) ON BOARD LDO LINEAR REGULATOR IS USED TO REGULATE UCC3,3V

(2) UCC = 1,6V TO 3,6V

FURTHER INFORMATION CAN BE FOUND IN THE DATASHEET



dev-tools.de

Rodenhausen Electronic GbR Berggartenstrasse 5 D-35457 Lollar-Odenhausen (c) Copyright by Rodenhausen Electronic GbR		REVISION A
PROJECT TITLE Microcontroller Module XMEGA-A4-USB	SHEET TITLE Microcontroller + USB-UART-Bridge	
BOARD NO. XMEGA-A4-USB	DR	DATE 14.02.2011
DR	DATE 17.02.2011	RELEASE DATE 17.02.2011
		SHEET 1/1